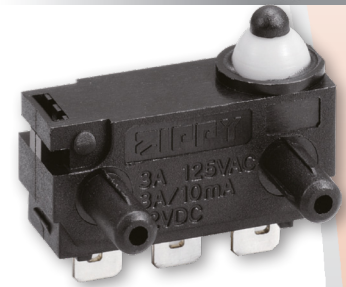


# DW Series Micro Switches (WATERPROOF)

# herga

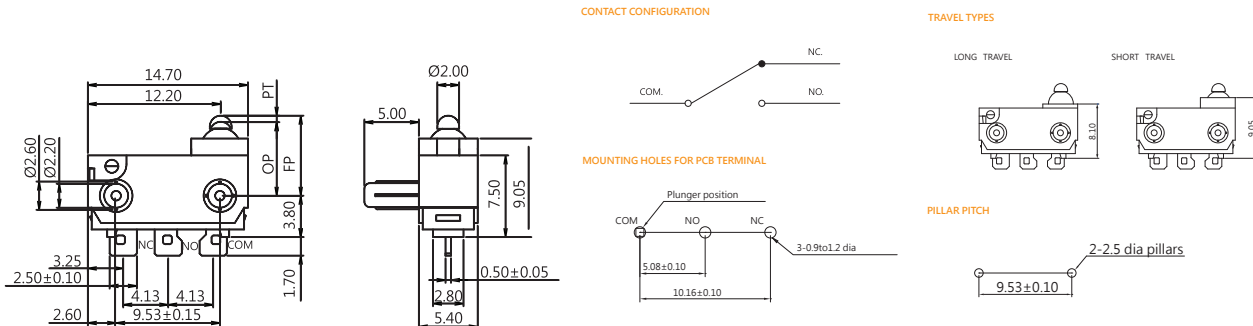
Technology Ltd

- High quality micro switches for a wide range of applications
- Excellent performance, high reliability and long service life
- UL/cUL and ENEC certification
- Applications - Automotive (Seat Belt, Door Latch, Engine Hood, Door Trunk), Air Conditioner, Communication, Security System, Electric Tooth Brush, Toy



## Reference dimensions mm

Unless otherwise specified, a tolerance of  $\pm 0.4$ mm applies to all dimensions.



## General specifications

<b>Contact resistance (initial)</b>	Max. 100m $\Omega$ Measured by ohm meter –Open Voltage<1VDC, Driver current -100mA	<b>Vibration</b>	10–55Hz, displacement 0.75 mm (p-p)
<b>Insulation Resistance (at 500 VDC / minute)</b>	Min. 100 M $\Omega$	<b>Electrical Service Life</b>	10mA - Min. 500,000 operations 3A - Min. 6,000 operations
<b>Dielectric Strength</b>	Min. 150VAC (50-60HZ)/minute between live parts. Min. 500VAC (50-60HZ)/minute between live parts and dead metal parts	<b>Electrical Operating Frequency</b>	10–30 operations per minute
<b>Operating Temperature Range</b>	-40°C to +85°C ( with no icing )	<b>Mechanical Service Life</b>	Min. 500,000 operations
		<b>Mechanical Operating Frequency</b>	120 operations per minute
		<b>Operating application of the switch</b>	Set the switch pushing distance from 60% to 90% of the specified OT value

## Certification information

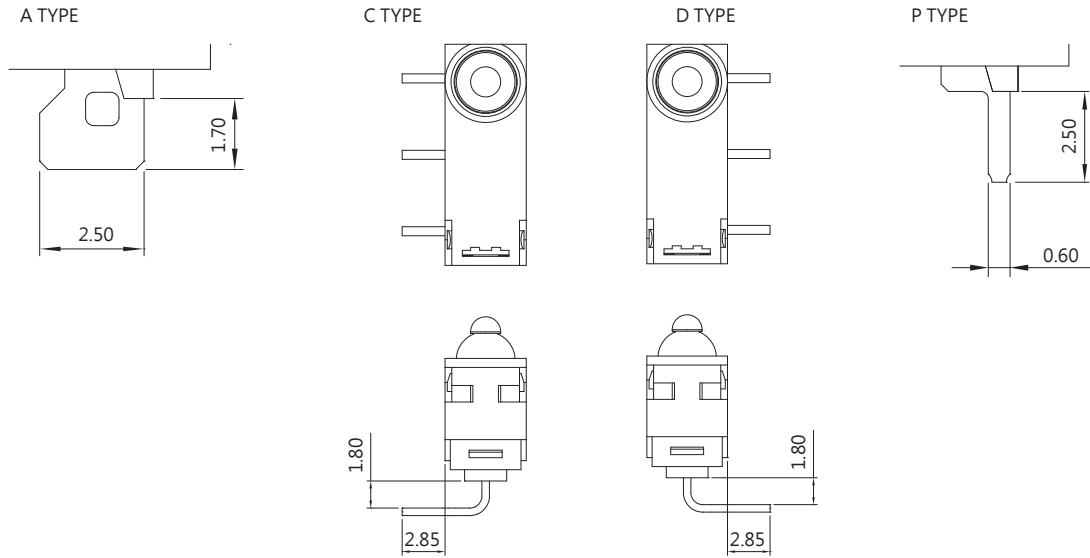
Model Name	UL - cUL	ENEC
DW-N2S	10 mA 12 VDC ( Temp65°C ), Min. 10,000 operations	10 mA 12 VDC, $\mu$ T55 5E5
DW-N3S	3 A 12 VDC ( Temp65°C ) Min. 100,000 operations 3 A 125 VAC ( Temp65°C ) Min. 6,000 operations	3 A 12 VDC, $\mu$ T55 1E5

# DW Series Micro Switches (WATERPROOF)

# herga

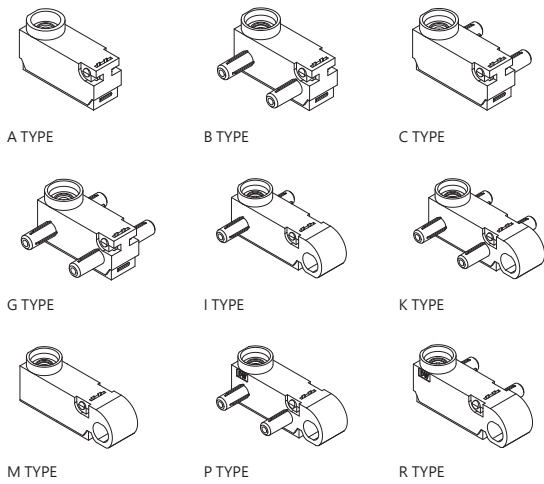
Technology Ltd

Terminal types (the thickness of each terminal is 0.5mm)

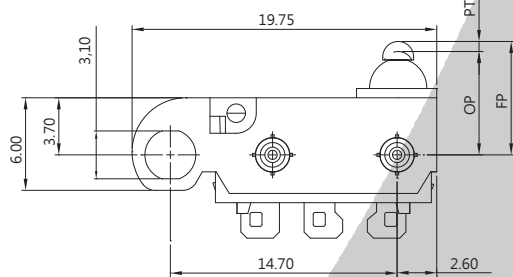
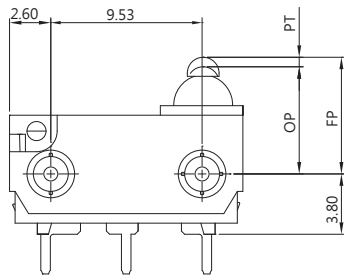
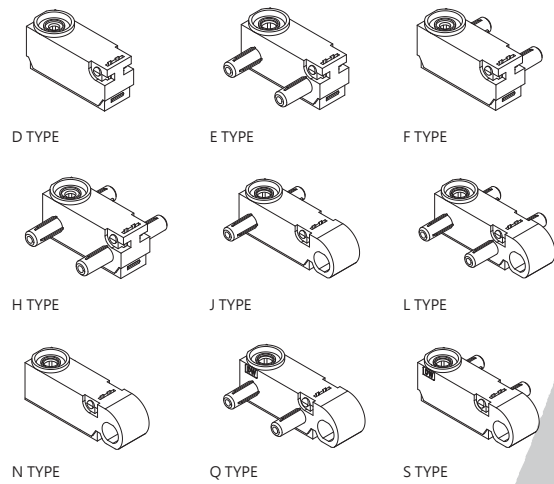


Cover types (Pillar and travel types)

SHORT TRAVEL



LONG TRAVEL



# DW Series Micro Switches (WATERPROOF)

# herga

Technology Ltd

## Ordering information

<b>D</b>	<b>W</b>	<b>N</b>	<b>2</b>	<b>S</b>	<b>0</b>	<b>1</b>	<b>A</b>	<b>0</b>	<b>A</b>	<b>0</b>	<b>A</b>	<b>Z</b>								
<b>SERIES PREFIX</b>	<b>C O D E</b>	<b>RATING CURRENT</b>		<b>C O D E</b>	<b>OPERATING FORCE</b>		<b>C O D E</b>	<b>ACTUATOR TYPE</b>		<b>C O D E</b>	<b>TERMINAL TYPE</b>		<b>C O D E</b>	<b>CIRCUIT ARRANGEMENT</b>		<b>C O D E</b>	<b>PILLAR &amp; TRAVEL TYPE</b>		<b>SERIAL CODE</b>	<b>ROHS CODE</b>
		10mA 12VDC Contact Plated Gold and Terminal Plated Sliver		S	STANDARD		00			A			0	S.P.D.T		A				
	N2						01			C			1	S.P.S.T.NO		B				
	N3	3A 125VAC					04			D			2	S.P.S.T.NC		C				
										P						G				
																I				
																K				
																M				
																P				
																R				
																D				
																E				
																F				
																H				
																J				
																L				
																N				
																Q				
																S				

DIMENSIONS	
CODE	L1 H ØA ØB ØC ØD P
A	2.0 3.7 2.2 2.6 2.2 2.6 9.53
B	3.5 3.7 2.2 2.6 2.2 2.6 9.53
C	2.8 3.75 2.7 3.1 2.2 2.6 9.53
D	4.0 3.7 2.2 2.6 2.2 2.6 9.53
E	0.9 3.7 2.2 N/A 2.2 N/A 9.53
F	1.8 3.7 2.5 N/A 2.5 N/A 9.53
G	5.0 3.7 2.4 2.8 2.4 2.8 8.0
I	2.8 3.75 2.2 2.6 2.2 2.6 9.53

## Operating characteristics

SWITCH TYPE	PART SUFFIX	OF Max (gf)	OP (mm)	PT Max (mm)	OT Min (mm)	MD Max (mm)	FP Max (mm)	RF Min (gf)
DW- □□ S-00 □□ -Z		S 130	3.05±0.2	0.8	0.8	0.3	3.65	35
			6.75±0.2				7.35	
DW- □□ S-01 □□ -Z		S 195	3.7±0.5	3.85	1.35	0.5	7.0	55
			7.4±0.5				10.7	
DW- □□ S-04 □□ -Z		S 160	6.2±0.8	4.8	1.65	0.7	10.1	45
			9.9±0.8				13.8	

